

JL7096D Datasheet

Zhuhai Jieli Technology Co.,LTD

Version 1.2

Date 2025.01.15

Copyright © Zhuhai Jieli Technology Co.,LTD. All rights reserved.

Revision History

Date	Revision	Description
2024.08.16	V1.0	Initial Release
2024.10.12	V1.1	Update Audio DAC Characteristics Update Package Information Update IC Marking Information
2025.01.15	V1.2	Update Features_Bluetooth Update Block Diagram Update BT Characteristics



Table of Contents

Revision History	1
Table of Contents	2
JL7096D Features	3
1 Block Diagram	5
2 Pin Definition	6
2.1 Pin Assignment	6
2.2 Pin Description	7
3 Electrical Characteristics	9
3.1 Absolute Maximum Ratings	9
3.2 ESD Ratings	9
3.3 PMU Characteristics	9
3.4 Battery Charge	10
3.5 IO Characteristics	10
3.6 Audio DAC Characteristics	11
3.7 Audio ADC Characteristics	13
3.8 BT Characteristics	14
4 Package Information	15
4.1 QFN32_4x4mm	15
5 IC Marking Information	16
6 Solder-Reflow Condition	17

JL7096D Features

SYSTEM

- Dual Core 32bit DSP 192MHz
- With IEEE754 Single precision FPU
- Support FFT/MATRIX/MATH
- 2 x I-cache and D-cache
- Support SDTAP/EMU
- On-chip SRAM 400kbyte
- Support MMU
- Support MPU
- Built-In Flash
- 24MHz crystal oscillator
- Internal RC oscillator,PLL

DSP Audio Processing

- SBC/AAC/LDAC/LHDC/LC3/CVSD/mSBC codec
- mSBC voice codec supported for BT phone
- PLC for voice processing
- Single/Multi MIC ENC
- Multi-band DRC
- Multi-band EQ
- Support spatial sound
- Support assistive listening
- Support Hi-Res Audio

ANC

- Wide band digital adaptive ANC
- Support hybrid/feedforward/feedback
- Support wind noise detection
- Support wide area tap
- Support Speak-to-Chat
- Support tip fit test & wear detection
- Input-to-output latency < 8us

Audio

- 1 x 24bit DAC
 - ❖ SNR 113dB
 - ❖ Noise 1.2uVrms
 - ❖ Support differential mode
 - ❖ Sampling rate 8~384kHz
- 3 x 24bit ADC
 - ❖ SNR 103dB

- ❖ Sampling rate 8~192kHz
- I²S/TDM/PDM/SPDIF AUDIO Master/Slave interface

Bluetooth

- Dual-mode BT6.0 with LE Audio (DN Q332415)
- Support AoA/AoD
- Support LE audio BIS/CIS
- Support long range BLE
- Maximum transmitting power 13dBm
- Receiver sensitivity
 - ❖ -97dBm @BR
 - ❖ -97dBm @EDR Π/4 DQPSK
 - ❖ -89dBm @EDR 8DPSK

Peripherals

- 1 x Full speed USB
- 1 x SD host controller
- 6 x Multi-function 32bit timer
- 3 x UART interface
- 1 x I²C Master/Slave interface
- 3 x SPI Master/Slave interface
- 1 x QDEC
- 2 x Light strip controller
- 1 x 10bit ADC(8 Channels)
- 4 x MCPWM
- 1 x CAN controller
- 16 x GPIO Support function remapping
- 3 x LP_Touch with low power wake up

PMU

- Integrated battery charger up to 180mA
- 2 x Buck DC-DC converter
- Support temperature sensor
- VPWR range 4.5V to 5.5V
- VBAT range 2.7V to 4.5V
- IOVDD range 2.7V to 3.6V

Packages

- QFN32(4*4mm)

Temperature

- Operating temperature
TC = -20°C to +85°C (standard range)
TC = -40°C to +105°C (extended range)
- Storage temperature -65°C to +150°C

Applications

- Adaptive ANC TWS
- Bluetooth audio device



1 Block Diagram

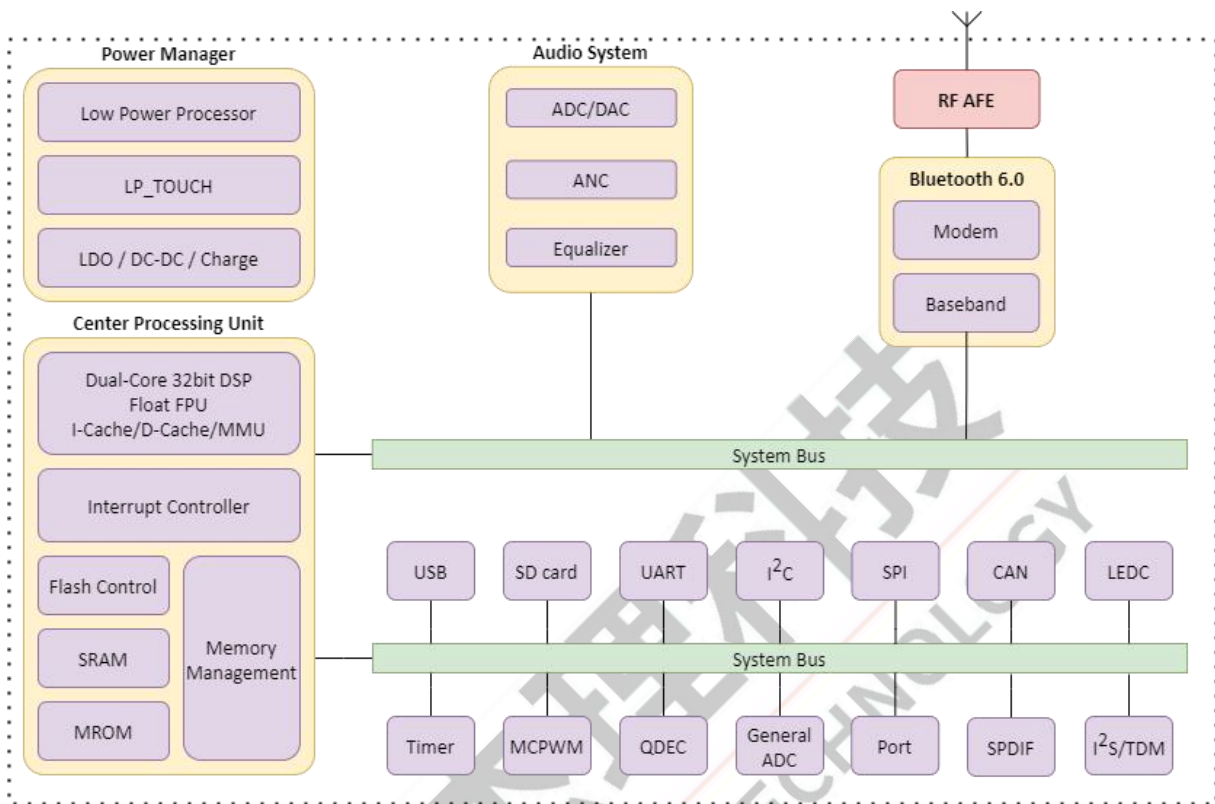


Figure 1-1 JL7096D Block Diagram

2 Pin Definition

2.1 Pin Assignment

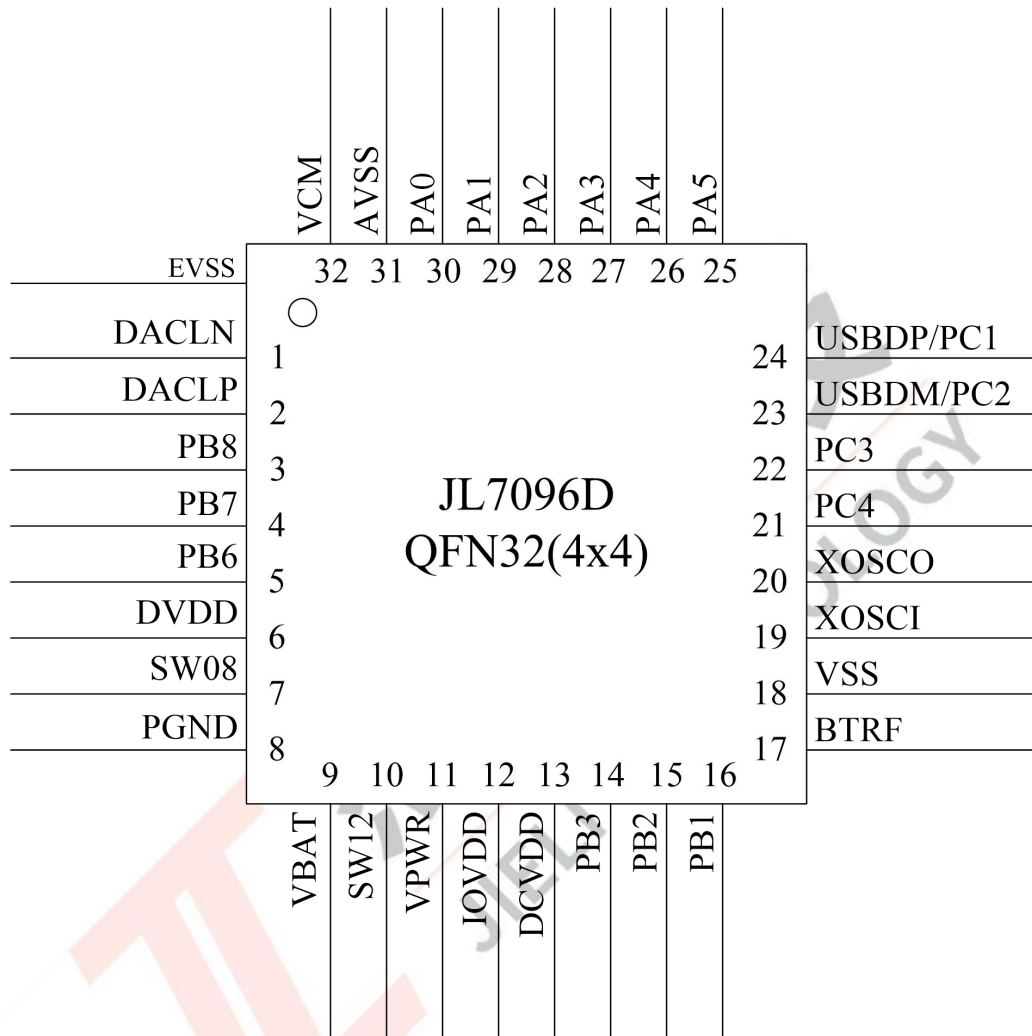


Figure 2-1 JL7096D Pin Assignment

2.2 Pin Description

Table 2-2-1 JL7096D Pin Description

Pin No.	Name	Type	IO Initial State	Description
1	DACLN	O	--	Left Channel DAC Negative Output
2	DACLP	O	--	Left Channel DAC Positive Output
3	PB8	I/O	Z	AIN_CP0(Audio ADC Positive Input)
4	PB7	I/O	Z	AIN_CN0(Audio ADC Negative Input)
5	PB6	I/O	Z	LVD(External Low Voltage Detection Input) AIN_BP1(Audio ADC Positive Input) MICBIASC(MIC Bias Output)
6	DVDD	P	--	Buck DCDC08 Output Power
7	SW08	P	--	Buck DCDC08 Switch Port
8	PGND	P	--	Ground of Buck DC-DC converter
9	VBAT	P	--	Battery Input
10	SW12	P	--	Buck DCDC12 Switch Port
11	VPWR	I/O	Z	Charge Power Input
12	IOVDD	P	--	IO Power
13	DCVDD	P	--	Buck DCDC12 Output Power
14	PB3	I/O	Z	ADC3(ADC Input Channel 3) LP_TOUCH3(TOUCH_CH3)
15	PB2	I/O	Z	ADC2(ADC Input Channel 2) LP_TOUCH2(TOUCH_CH2)
16	PB1	I/O	10kΩ Pull-up	ADC1(ADC Input Channel 1) LP_TOUCH1(TOUCH_CH1) Hold down 0 to reset
17	BTRF	RF	--	Bluetooth RF Antenna
18	VSS	G	--	Ground
19	XOSCI	I	--	Crystal Oscillator Input
20	XOSCO	O	--	Crystal Oscillator Output
21	PC4	I/O	Z	ADC10(ADC Input Channel 10) SPDIF_VIN3
22	PC3	I/O	Z	ADC9(ADC Input Channel 9) SPDIF_VIN2
23	USBDM	I/O	15kΩ Pull-down	USB Negative Data ADC15(ADC Input Channel 15)
	PC2	I/O	Z	ADC8(ADC Input Channel 8) SPDIF_VIN1
24	USBDP	I/O	15kΩ Pull-down	USB Positive Data ADC14(ADC Input Channel 14)

Pin No.	Name	Type	IO Initial State	Description
	PC1	I/O	Z	ADC7(ADC Input Channel 7) SPDIF_VIN0
25	PA5	I/O	Z	AIN_BP0(Audio ADC Positive Input)
26	PA4	I/O	Z	AIN_BN0(Audio ADC Negative Input) AIN_AN1(Audio ADC Negative Input)
27	PA3	I/O	Z	AIN_AP1(Audio ADC Positive Input) MICBIASB(MIC Bias Output)
28	PA2	I/O	Z	AIN_AN0(Audio ADC Negative Input)
29	PA1	I/O	Z	AIN_AP0(Audio ADC Positive Input)
30	PA0	I/O	Z	ADC6(ADC Input Channel 6) MICBIASA(MIC Bias Output) MICLDO(MIC Bias LDO Output)
31	AVSS	G	--	Audio Ground
32	VCM	P	--	Audio reference voltage

Note

- 1.IO initial state abbreviations Z--High resistance, H--High level, L--Low level, X--May be changed during power on.
- 2.Timer, SPDIF, MCPWM, QDEC, UART, LEDC, I²C, I²S, SPI, CAN and SD functions can be remapped to any I/O.

Table 2-2-2 Pin Types Description

Pin Type	Description	Pin Type	Description
P	Power	I/O	Input or Output
G	Ground	I	Input
RF	RF antenna	O	Output

3 Electrical Characteristics

3.1 Absolute Maximum Ratings

Table 3-1 Absolute Maximum Ratings

Symbol	Parameter	Min	Max	Unit
Topt	Operating temperature	-20	+85	°C
Tstg	Storage temperature	-65	+150	°C
VBAT	Supply Voltage	-0.3	4.5	V
VPWR		-0.3	6	V
IOVDD		-0.3	3.6	V
DCVDD		-0.3	1.25	V
DVDD		-0.3	0.9	V
GPIO	Input voltage of GPIO	-0.3	3.6	V

Note

1.Stresses beyond those listed under absolute maximum ratings may cause permanent damage to the device.

3.2 ESD Ratings

Table 3-2 ESD Ratings

Parameter	Typ	Test pin	Reference standard
Human Body Mode	±4kV	All pins	JEDEC EIA/JESD22-A114
Machine Mode	±300V	All pins	JEDEC EIA/JESD22-A115
Charge Device Model	±2kV	All pins	ANSI/ESDA/JEDEC JS-002-2022

3.3 PMU Characteristics

Table 3-3 PMU Characteristics

Symbol	Parameter	Conditions	Min	Typ	Max	Unit
VBAT	Power supply	--	2.7	3.7	4.5	V
VPWR	Power supply	--	4.5	5.0	5.5	V
Operating mode						
Symbol	Parameter	Conditions	Min	Typ	Max	Unit
IOVDD	Voltage output	--	--	3	--	V
	Loading current	IOVDD=3.0V@VBAT = 3.7V or VPWR=5V	--	--	120	mA
DCVDD	Voltage output	--	--	1.15	--	V
	Loading current	DCVDD=1.15V@IOVDD=3.0V in LDO mode	--	--	120	mA
		DCVDD=1.15V@VBAT=3.7V in DCDC mode	--	--	120	mA
Low Power mode						
Symbol	Parameter	Conditions	Min	Typ	Max	Unit

IOVDD	Loading current	IOVDD=3.0V@VBAT = 3.7V or VPWR=5V	--	--	10	mA
-------	-----------------	-----------------------------------	----	----	----	----

3.4 Battery Charge

Table 3-4 Charger Characteristics

Symbol	Parameter	Min	Typ	Max	Unit
VPWR	Charge Input Voltage	4.5	5	5.5	V
CV	CV Mode Voltage Accuracy	4.175	4.2	4.225	V
		4.325	4.35	4.375	V
CC	CC Mode Current	15	--	180	mA
I _{end}	End Of Charge Current	1.5	--	18	mA
V _{Trickl}	Trickle Charge Voltage	--	3	--	V

3.5 IO Characteristics

Table 3-5 IO Characteristics

Input Characteristics						
Symbol	Parameter	Conditions	IO	Min	Max	Unit
V _{IL}	Low-Level Input Voltage	IOVDD = 3.0V	PA0~PA5 PB1~PB3,PB6~PB8 PC1~PC4 USBDP USBDM VPWR	-0.3	1.4	V
V _{IH}	High-Level Input Voltage	IOVDD = 3.0V	PA0~PA5 PB1~PB3,PB6~PB8 PC1~PC4 USBDP USBDM	1.7	3.3	V
		IOVDD = 3.0V	VPWR	1.7	5.5	V
Output Characteristics						
Symbol	Parameter	Conditions	IO	Typ	Unit	
I _{OL}	Output Current	IOVDD = 3.0V V _{output} = 0.3V	PA0~PA5 PB1~PB3,PB6~PB8 PC1~PC4	4(HD=0) 8(HD=1) 16(HD=2) 32(HD=3)	mA	
		IOVDD = 3.0V V _{output} = 0.3V	USBDP USBDM	8	mA	
		IOVDD = 3.0V V _{output} = 0.3V	VPWR	2	mA	
I _{OH}	Output Current	IOVDD = 3.0V V _{output} = 2.7V	PA0~PA5 PB1~PB3,PB6~PB8	4(HD=0) 8(HD=1)	mA	

			PC1~PC4	16(HD=2) 32(HD=3)		
		IOVDD = 3.0V Voutput = 2.7V	USBDP USBDM	8	mA	
		IOVDD = 3.0V Voutput = 2.7V	VPWR	2	mA	
Internal Resistance Characteristics						
Symbol	Parameter	Conditions	IO	Typ	Unit	
R _{pu}	Pull-up Resistance	IOVDD = 3.0V	PA0~PA5 PB1~PB3,PB6~PB8 PC1~PC4 VPWR	10k(PU=1) 100k(PU=2) 1M(PU=3)	Ω	
			IOVDD = 3.0V	USBDP	1.5k	Ω
			IOVDD = 3.0V	USBDM	180k	Ω
R _{pd}	Pull-down Resistance	IOVDD = 3.0V	PA0~PA5 PB1~PB3,PB6~PB8 PC1~PC4 VPWR	10k(PD=1) 100k(PD=2) 1M(PD=3)	Ω	
			IOVDD = 3.0V	USBDP USBDM	15k	Ω

Note

1.Internal pull-up/pull-down resistance accuracy ±20%

3.6 Audio DAC Characteristics

Table 3-6-1 DAC Characteristics

Parameter	Conditions	Min	Typ	Max	Unit
Resolution	--	--	24	--	bits
Input Sample Rate	--	8	--	384	kHz
SNR ^①	Differential Mode Fin=1kHz@0dBFS Fs=44.1kHz B/W=20Hz~20kHz A-Weighted Load=10kΩ	--	113	--	dB
Dynamic Range	Differential Mode Fin=1kHz@-60dBFS Fs=44.1kHz B/W=20Hz~20kHz A-Weighted Load=10kΩ	--	106	--	dB
THD+N	Differential Mode Fin=1kHz@0dBFS Fs=44.1kHz	--	-85	--	dB

Parameter	Conditions	Min	Typ	Max	Unit
	B/W=20Hz~20kHz A-Weighted Load=32Ω				
Noise Floor	Differential Mode B/W=20Hz~20kHz A-Weighted Load=10kΩ	--	2.7	--	uVrms
Noise Floor with MUTE	Differential Mode B/W=20Hz~20kHz A-Weighted Load=10kΩ	--	1.2	--	uVrms
Max Output Power	Differential Mode Fin=1kHz@0dBFS Fs=44.1kHz B/W=20Hz~20kHz A-Weighted Load=16Ω THD+N<1%	--	20	29	mW

Note

- ① SNR is the ratio of output level with a 1kHz full-scale input to output level with MUTE on.

3.7 Audio ADC Characteristics

Table 3-7 Audio ADC Characteristics

Parameter	Conditions	Min	Typ	Max	Unit
Resolution	--	--	24	--	bits
Output Sample Rate	--	8	--	192	kHz
SNR	Differential input Mode Fin=1kHz@0dBFS Fs=44.1kHz B/W=20Hz~20kHz A-Weighted ADC gain=0dB	--	103	--	dB
	Single-ended input Mode Fin=1kHz@0dBFS Fs=44.1kHz B/W=20Hz~20kHz A-Weighted ADC gain=0dB	--	100	--	dB
Dynamic Range	Differential input Mode Fin=1kHz@-60dBFS Fs=44.1kHz B/W=20Hz~20kHz A-Weighted ADC gain=0dB	--	103	--	dB
	Single-ended input Mode Fin=1kHz@-60dBFS Fs=44.1kHz B/W=20Hz~20kHz A-Weighted ADC gain=0dB	--	100	--	dB
THD+N	Differential input Mode Fin=1kHz@0dBFS Fs=44.1kHz B/W=20Hz~20kHz A-Weighted ADC gain=0dB	--	-85	--	dB
	Single-ended input Mode Fin=1kHz@0dBFS Fs=44.1kHz B/W=20Hz~20kHz A-Weighted ADC gain=0dB	--	-83	--	dB
Analogue Gain	--	-6	--	27	dB
Max Input Level	Differential input Mode ADC gain=0dB	--	0.56	0.70	Vrms
	Single-ended input Mode ADC gain=0dB	--	0.28	0.35	Vrms

3.8 BT Characteristics

3.8.1 Transmitter

Table 3-8-1-1 Transmitter characteristics

Parameter	Conditions	Min	Typ	Max	Unit
Maximum RF Transmit Power	BR	--	10	13	dBm
Maximum RF Transmit Power	EDR $\pi/4$ DQPSK EDR 8DPSK	--	10	--	dBm
Relative Transmit Power	EDR $\pi/4$ DQPSK EDR 8DPSK	--	3	--	dB
Maximum RF Transmit Power	BLE-1Mbps	--	10	13	dBm

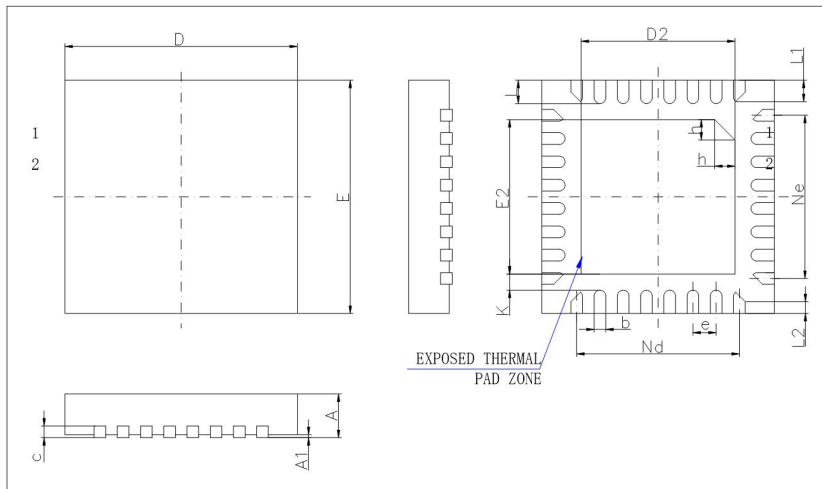
3.8.2 Receiver

Table 3-8-2 Receiver characteristics

Parameter	Conditions	Min	Typ	Max	Unit
Sensitivity	BR	--	-97	--	dBm
	EDR $\pi/4$ DQPSK	--	-97	--	dBm
	EDR 8DPSK	--	-89	--	dBm
	BLE-1Mbps	--	-99.5	--	dBm
	BLE-2Mbps	--	-96.5	--	dBm

4 Package Information

4.1 QFN32_4×4mm



SYMBOL	MILLIMETER		
	MIN	NOM	MAX
A	0.70	0.75	0.80
A1	0	0.02	0.05
b	0.15	0.20	0.25
c	0.18	0.20	0.25
D	3.90	4.00	4.10
D2	2.50	2.65	2.80
e	0.40BSC		
Nd	2.80BSC		
E	3.90	4.00	4.10
E2	2.50	2.65	2.80
Ne	2.80BSC		
K	0.20	-	-
L	0.35	0.40	0.45
L1	0.30	0.35	0.40
L2	0.15	0.20	0.25
h	0.30	0.35	0.40
L/F 载体尺寸 (mil)	112*112		

Figure 4-1 JL7096D Package

5 IC Marking Information

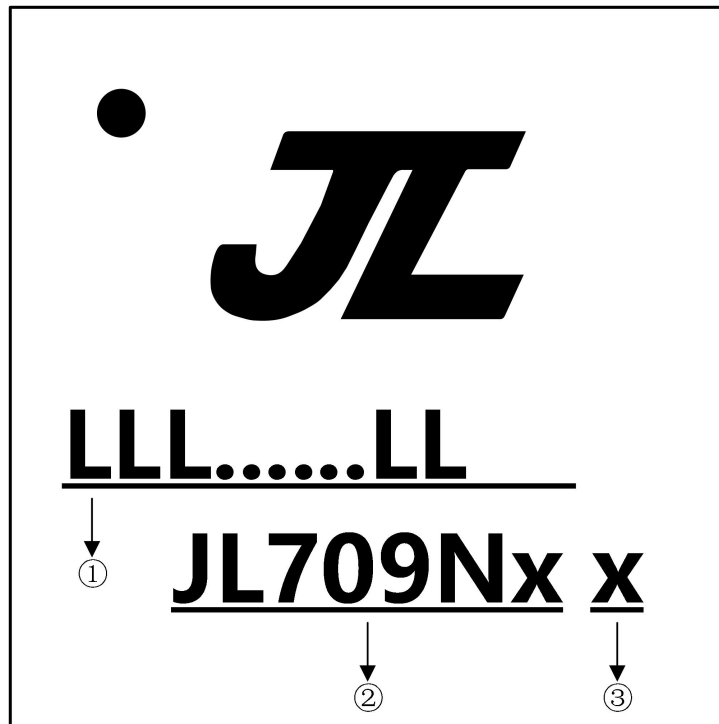


Figure 5-1 JL7096D Package Outline

- ① LLL.....LL LOT No. , It contains 7 to 18 alphanumerics
- ② JL709Nx Chip Model
- ③ x Built-in flash size
 - 0 No Flash Memory
 - 2 2Mbit Flash
 - 4 4Mbit Flash
 - 8 8Mbit Flash
 - 6 16Mbit Flash
 - 3 32Mbit Flash

6 Solder-Reflow Condition

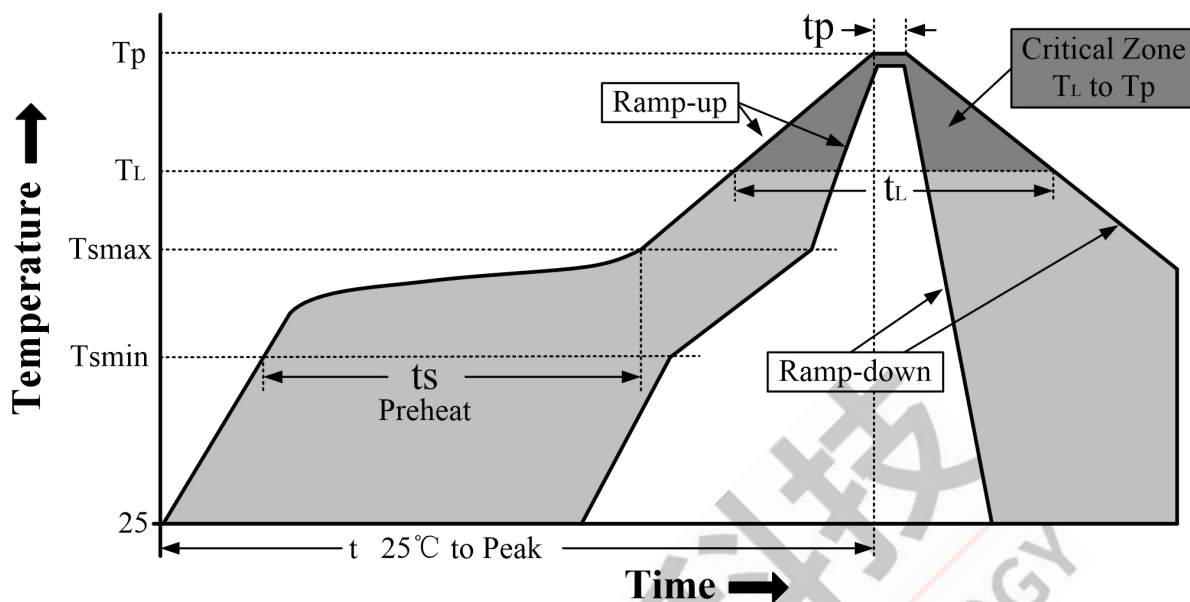


Figure 6-1 Classification Reflow Profile

Table 6-1 Classification Profiles

Profile Feature		Sn-Pb Eutectic Assembly	Pb-Free Assembly
Preheat/Soak	Temperature Min (T_{smin})	100°C	150°C
	Temperature Max (T_{smax})	150°C	200°C
	Time (t_s) from (T_{smin} to T_{smax})	60-120 seconds	60-180 seconds
Average ramp-up rate (T_{smax} to T_p)		3°C/second max	3°C/second max
Liquidous temperature (T_L)		183°C	217°C
Time (t_L) maintained above T_L		60-150 seconds	60-150 seconds
Peak package body temperature (T_p)		See Table 6-2	See Table 6-3
Time within 5°C of actual Peak Temperature (t_p) ²		10-30 seconds	20-40 seconds
Ramp-down rate (T_p to T_L)		6°C/second max	6°C/second max
Time 25°C to peak temperature		6 minutes max	8 minutes max

Note

- 1.All temperatures refer to topside of the package, measured on the package body surface
- 2.Time within 5°C of actual peak temperature (t_p) specified for the reflow profiles is a “supplier” and “user” maximum.

Table 6-2 SnPb Classification Temperature

Package Thickness	Volume mm ³	Volume mm ³
	< 350	≥ 350
<2.5 mm	240 +0/-5°C	225 +0/-5°C
≥2.5 mm	225 +0/-5°C	225 +0/-5°C

Table 6-3 Pb-free - Classification Temperature

Package Thickness	Volume mm ³ < 350	Volume mm ³ 350 - 2000	Volume mm ³ > 2000
< 1.6mm	260°C	260°C	260°C
1.6 mm - 2.5mm	260°C	250°C	245°C
> 2.5mm	250°C	245°C	245°C

Note

1.*Tolerance The device manufacturer/supplier shall assure process compatibility up to and including the stated classification temperature (this means Peak reflow temperature +0°C.For example 260°C+0°C)at the rated MSL level.